

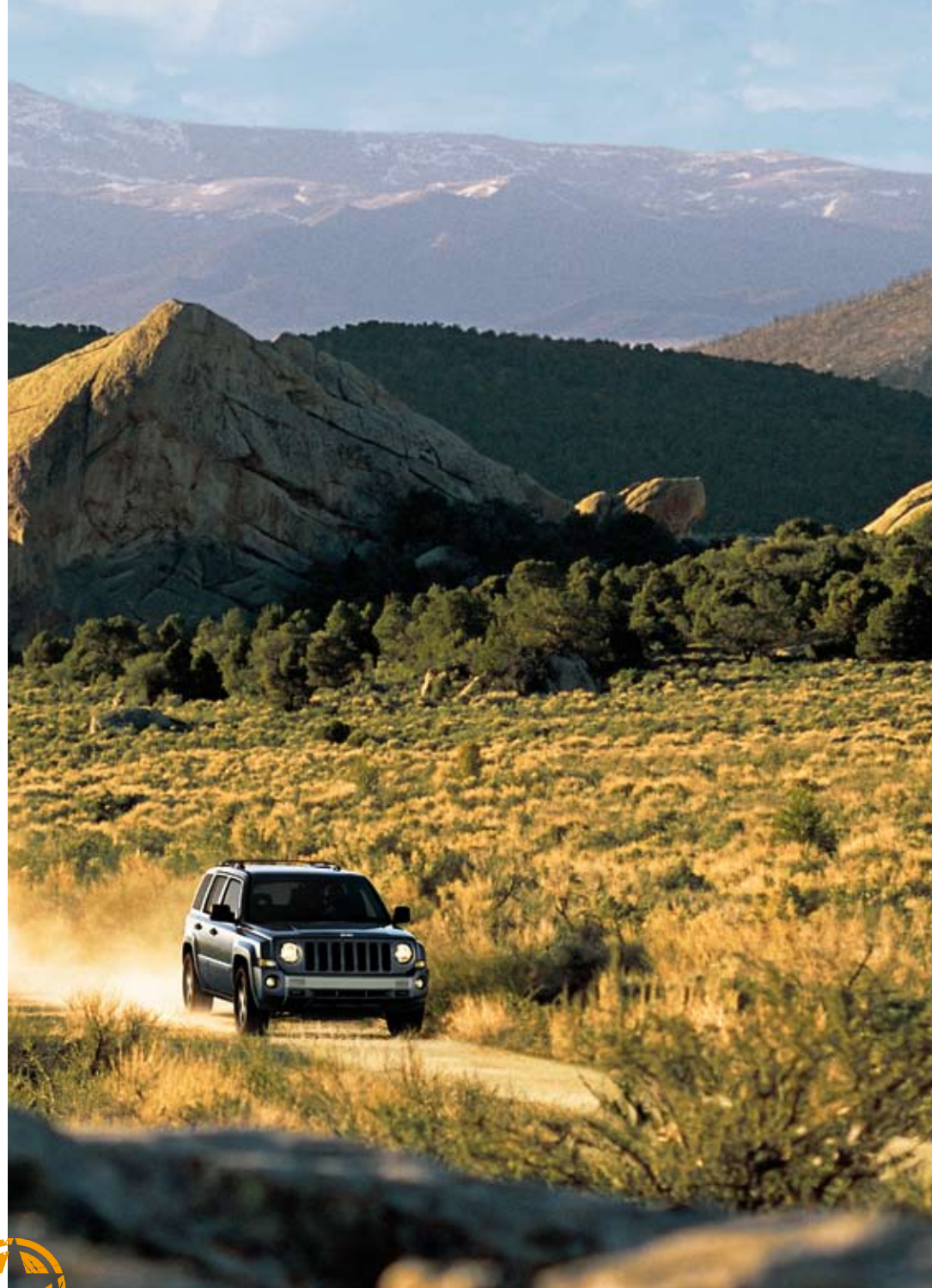


Jeep[®]

JEEP[®] **PATRIOT**



Introducing The All New Jeep Patriot. This modern sport- utility vehicle is the latest expression of Jeep brand freedom, adventure and classic styling, reflecting authentic Jeep 4x4 heritage. One look at Patriot's functional angular silhouette, seven-slot grille and round headlamps and you will recognise its history, connecting it straight back to the noble Willys MB. Patriot Sport delivers fun, freedom and utility while remaining remarkably within reach. Here's to making history. Here's to the all new Jeep Patriot.





Jeep Patriot Sport: Substance and Style.

It attracts attention without even trying. That's what Patriot Sport does with its stylish touch of silver on its roof rack side rails, round headlamps and standard fog lamps for increased visibility in inclement weather. Patriot Sport also delivers an impressive dose of Jeep brand power with its standard 2.0L CRD engine matched to a 6 speed manual transmission, antilock brake system (ABS) and rack and pinion power steering. This is a true Jeep vehicle.





Sport From The Inside Out. Patriot takes a new and fresh approach to Jeep adventure and versatility by offering features including power windows, power locks, remote keyless illuminated entry and a body colour liftgate appliqué. The centre console armrest slides forward, adding to driver comfort and also includes a flip pocket mobile phone or MP3 player holder. Sport's front seats are dual density foam for added support and comfort, and the rear has a 60/40 split seatback with convenient single action folding for utility and versatility. The exclusive YES Essentials stain resistant, odour resistant, antistatic premium seat fabric trim provides interior durability.

Utility That's Flat Out Ingenious. Patriot's interior is practical, purposeful and full of surprises. The spacious and configurable interior provides room for up to five adults plus gear

- The 60/40 fold flat rear seat reclines up to 12 degrees for enhanced rear seat comfort. A pull tab on the outboard seatback releases for folding.
- Cargo capacity is 329L with the rear seat up, and expands to 1211L with front passenger seat and rear seats folded.
- Patriot's fold flat front passenger seat forms a table-like surface for items like your six foot extension ladder!
- The durable diamond plate texture UltraFloor vinyl cargo load floor is removable and washable for easy clean up.



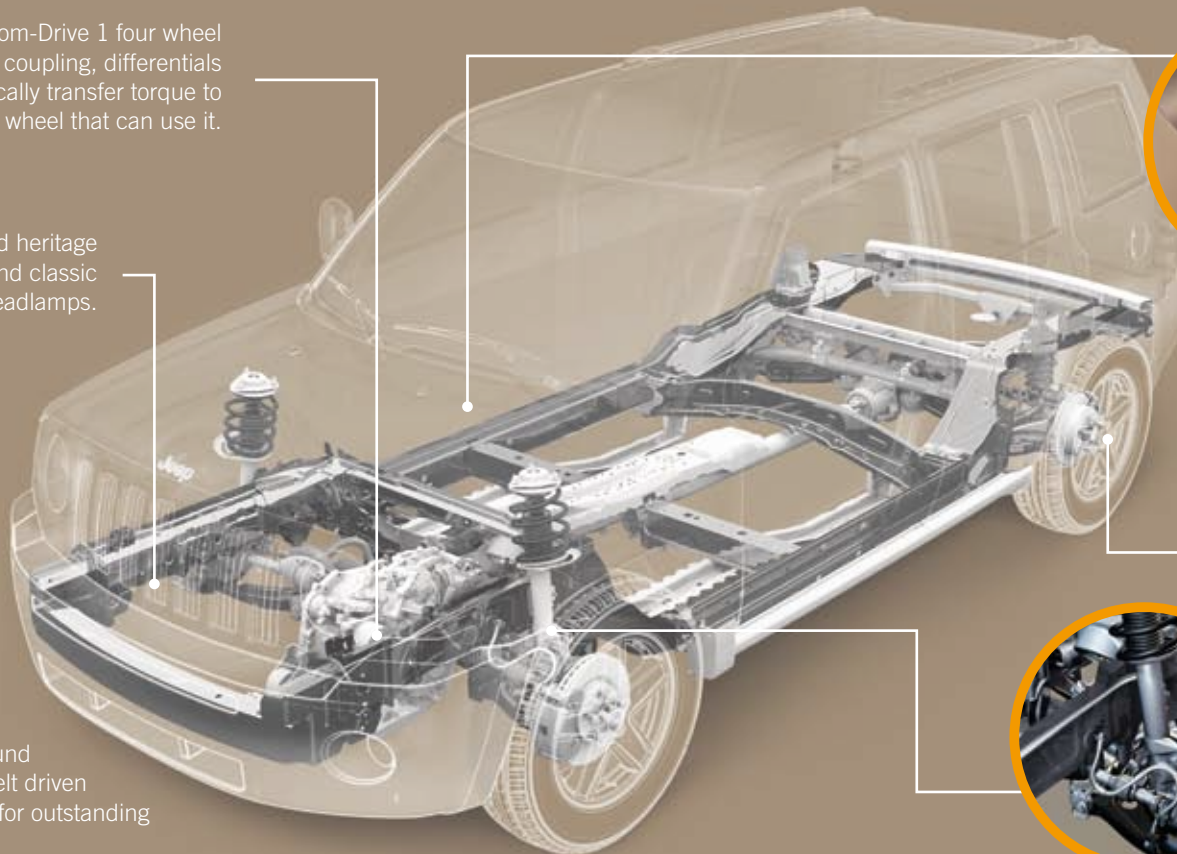
From Paved Roads To Beaten Paths, Jeep Patriot Can Take You There. The 2.0L CRD Patriot Sport offers a rare combination of practicality, capability and accessibility. Patriot's Freedom-Drive ITM active, full-time four-wheel drive (4WD) with 4WD LOCK mode gives drivers year-round assurance with its ability to handle challenging weather conditions, such as driving in rain and light snow. When in 4WD LOCK mode, it can handle deeper snow, sand and other low-traction surfaces. Patriot features a driver-controlled three-mode Electronic Stability Programme (ESP) that applies selective braking to control over and understeering. A partial-on mode turns off the traction control portion of ESP. An off mode can be used when navigating through tougher off-road events.

At the heart of the standard Freedom-Drive 1 four wheel drive system are an electronic centre coupling, differentials and traction systems that automatically transfer torque to any wheel that can use it.

Patriot's authentic Jeep brand heritage shows with its seven slot grille and classic round headlamps.

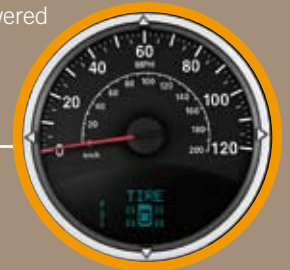


The 2.0 Turbo Diesel engine. A direct injection masterpiece built around an aluminium cylinder head with two belt driven camshafts and four valves per cylinder for outstanding performance and efficiency.



Patriot's 4WD lockable Electromagnetic Centre Coupling (EEC) helps provide true 4WD capability.

An available Tire Pressure Monitoring System transmits data from long life battery powered transmitters in each valve stem to a monitoring display.



Patriot employs an independent front and rear suspension that accommodate a four wheel drive system while providing precise handling.



In Patriot, Safety and Security Come First. Patriot comes standard with a high level of standard safety and security features including a structural safety cage and a body engineered with front crumple zones to help absorb energy during a frontal impact event. Advanced multistage front airbags provide nearly instantaneous occupant protection by matching air bag output to crash severity. Supplemental side curtain air bags offer rollover and side impact protection for outboard occupants. Side door guard beams within the front and rear doors help protect occupants during side impact. A high strength steel cross car beam is located under the rear seat area to help manage side impact energy by transferring loads from one side of the vehicle to the other. To keep these safety features secure, Patriot Sport comes standard with a Sentry Key theft deterrent system.





2.0L CRD Engine. The new Jeep Patriot is also available in a 2.0L CRD commercial model for all your business needs. You get the performance and stylish features of a passenger 4x4 but with the space and practicality to keep your business on the road.

Making Your Business Day Easy. Pumping out 310Nm of torque, 103Kw of power and with a towing capacity of 1500kg*, the new Jeep Patriot supplies excellent low end torque performance.

The 6 speed manual combined with the 2.0L CRD Turbo Diesel features overdrive gearing that enhances highway fuel efficiency and reduces noise.



*Braked trailer weight

The standard Freedom-Drive 1 4WD System gives Jeep Patriot off-road capability in the toughest of conditions via its selective LOCK features that many competitors can't match. For added security for your business there is also a removable cargo tonneau cover.

Utility. The spacious cargo area measures 1.63/1.27/1.01m (l/w/h), ample for all your business needs.

The cargo area features a removable, rechargeable LED flashlight, practical in emergency situations.

The YES Essentials stain resistant, odour resistant, antistatic premium seat fabric ensures that both driver and front passenger seat are kept clean. Spills, mud and dirt are easily cleaned, and help to keep your Jeep Patriot commercial stain free.

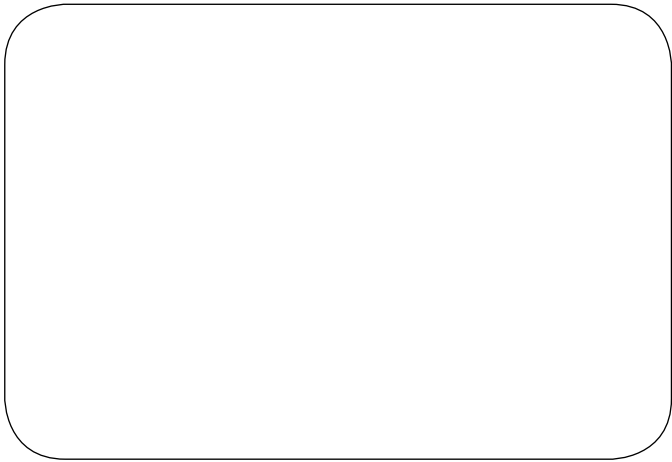


TECHNICAL	jeep patriot 2.0 CRD	jeep patriot 2.0 CRD commercial
engine and transmission		
Bore x Stroke - mm	81.0 x 95.5	
Compression Ratio	18.1	
Cubic Capacity - cc	1968	
Fuel System	Common Rail Diesel	
Maximum Power kW @ rpm	103 @ 4000	
Maximum Torque Nm @ rpm	310 @ 1750 - 2500	
Transmission	6 Speed Manual	
exterior dimensions		
Overall Length - mm	4408	
Overall Width - mm	1785	
Overall Height - mm	1667	
Front Track - mm	1520	
Rear Track - mm	1520	
Wheelbase - mm	2635	
performance		
0 - 100 km/h - seconds	11.0	
Maximum Speed - km/h	189	
weights and capacities		
Cargo Area Vol - Rear Seat Up - L	334	x
Cargo Area Vol - Rear Seat & Front Passenger Seat Folded Forward - L	738	x
Cargo Area Vol - L/W/H	x	1.63/1.27/1.01
Fuel Tank Capacity - l	51.1	
Gross Vehicle Weight - kg	2010	
Kerb Weight (max) - kg	1570 - 1610	1570 - 1610
Max Towing Capacity - braked trailer - kg	1500	1500
Payload - kg	365	325
brakes, wheels and tyres		
Brake System - Rear	Solid discs with ABS	
Brake System - Front	Vented discs with ABS	
Wheels	17" Alloys	
Tyres	P215/60 R17	
suspension		
Front	Independent MacPherson Strut,coil spring over gas-charged shock absorber and stabilizer bar	
Rear	Multi-link Independent with coil springs, link types tabilizer bar, gas charged shock absorbers	
steering		
Overall Ratio	16.4:1	
Steering Turns - lock to lock	2.88	
System	Firm Feel Power Rack and Pinion	
Turning Diameter - m	10.8	
economy		
Urban - l/100km	8.8	
Extra Urban - l/100km	5.5	
Combined - l/100km	6.7	
CO2 Emissions - g/km	180	

EQUIPMENT	jeep patriot 2.0 CRD	jeep patriot 2.0 CRD commercial
safety and security		
4 Wheel Disc Anti-Lock Brakes	●	
Advanced Multi Stage Driver and Passenger Airbags	●	
Supplemental Side Curtain Airbags	●	
Child Protection Rear Door Locks	●	
Electronic Stability Program (ESP) with Electronic Roll Mitgation (ERM) and Brake Assist	●	
Freedom Drive 1 - Active Full Time 4WD with Selectable LOCK Feature	●	
Front Height Adjustabe Seatbelts with Pre Ternsioners	●	
3 Point Lap/Shoulder Belts for all Outboard Seating Positions	●	
Front Fog Lamps	●	
Halogen Headlamps with Levelling System	●	
ISOFIX/LATCH - Lower Child Seat Anchors & Upper Tether Anchors	●	x
Locking Fuel Filler Cap	●	
Remote Keyless / illuminated Door Entry System	●	
Security Alarm	●	
Sentry Key	●	
Soft Tonneau Security Cover	●	
exterior equipment		
17" Alloy Wheels	●	
Body Coloured Front & Rear Fascias	●	
Body Coloured Liftgate Applique	●	
Glass - Solar Control Tinted	●	
Manual Liftgate with Fixed Glass	●	
Power Folding Door Mirrors	●	
Rear Fog and Side Repeater Lamps	●	
Roof Rails - Black	●	
interior equipment		
Air Filtering	●	
All Season Floor Mats	●	
Auxiliary Power Socket on Instrument Panel	●	
Cargo Area Ultrafloor - Removable & Washable Vinyl Load Floor	●	
Centre Console with Sliding Armrest, MP3 Holder & Cubby Bin	●	
Coat Hooks - 2 in the rear	●	
Cruise Control	●	
Cup Holders - Front (2) and Rear (2)	●	Front Only
Driver & Front Passenger Visor Vanity Mirrors	●	
Electric Windows, Front & Rear - 1 Touch Driver Open	●	Front Only
Folding 60/40 Split Folding, Fold F lat Seat	●	
Front Passenger Flat Forward Folding Seat	●	
Instrument Panel Cubby, Below Radio & Above Glove Box	●	
Interior Cargo Lamp with Removable, Rechargeable LED Flashlight	●	
Leather Wrapped Steering Wheel with Audio Controls	●	
Map Reading Light	●	
Removable, Rechargeable Flashlight	●	
Smokers Group - Removable Ashtray and Lighter	●	
Sliding Sun Visors with Mirrors	●	
Tie Down Loops 4; 2 on the Lr Rear Scuff Plate & 2 Near the D Pillar	●	
YES Essentials Premium Cloth Low Buc ket Seat Fabric	●	
in car entertainment		
4 Speakers	●	
AM/FM Radio with CD Player with RDS & Changer Controls	●	
warranty		
2 Year Unlimited Kilometer	●	

CJ Ireland Concessionaires Ltd. reserve the right to make alterations to the described specifications at any time and without prior notice or obligation.

Issue Date: November 2007



CJ Ireland Concessionaires Ltd

Clonlara Avenue
Baldoonell Business Park
Baldoonell
Dublin 22
Tel: 01 4034100
www.jeep.ie

